

S Series Moulded Case Circuit Breaker



Motor-driven operation device



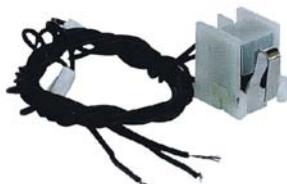
Rotary handle



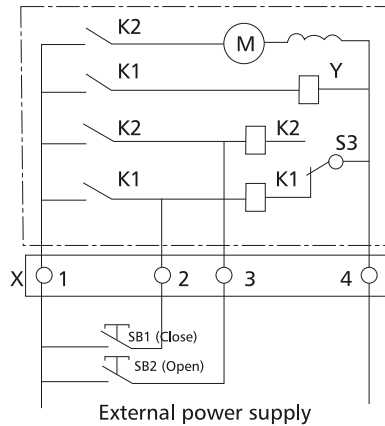
Shunt release



Undervoltage release



Alarm contact
Auxiliary Contact



Code description: SB₁、SB₂ stand for push button.(provided by users themselves)

"X" stands for line connection terminals

Voltage rating: AC50Hz 230V、400V; DC 220V

Rotary handle

Economic extended rotary handle

Degree of protection: Ip30

Function: 1) With indication of isolation

2) Indication of three positions 0(off) I(on) and tripped

3) Door opening prevented when circuit breaker is on

The internal accessories of the breaker

Undervoltage release

Us:AC50/60Hz 400V, 230V

When the operation voltage is 35%-70% of the rated voltage, the under-voltage release should make the breaker trip correctly.

When the operation voltage is 85%-110% of the rated voltage, the under-voltage release should make the breaker close.

In case of the operation voltage less than 35% of the rated voltage, the under-voltage should prevent the breaker from closing.

Note: Only the under-voltage release should be energized in advanced, the breaker could be recramped and turned-on, otherwise the breaker will be damaged.

Shunt release

Us:AC50/60Hz 400V, 230V; DC110V 220V

The shunt release should make the breaker trip reliably when the operation voltage is 70%-110% of the rated control voltage

Auxiliary contact

When the breaker is in "off"	F14 ———— F11 F12 ————	Size 2N/O+2N/C 1N/O+1N/C
	F24 ———— F21 F22 ————	
When the breaker is in "on"	F14 ———— F11 F12 ————	When the breaker is in "off", the contacts switch from "close" to "open". When the breaker is in "on", the contacts switch from "open" to "close"